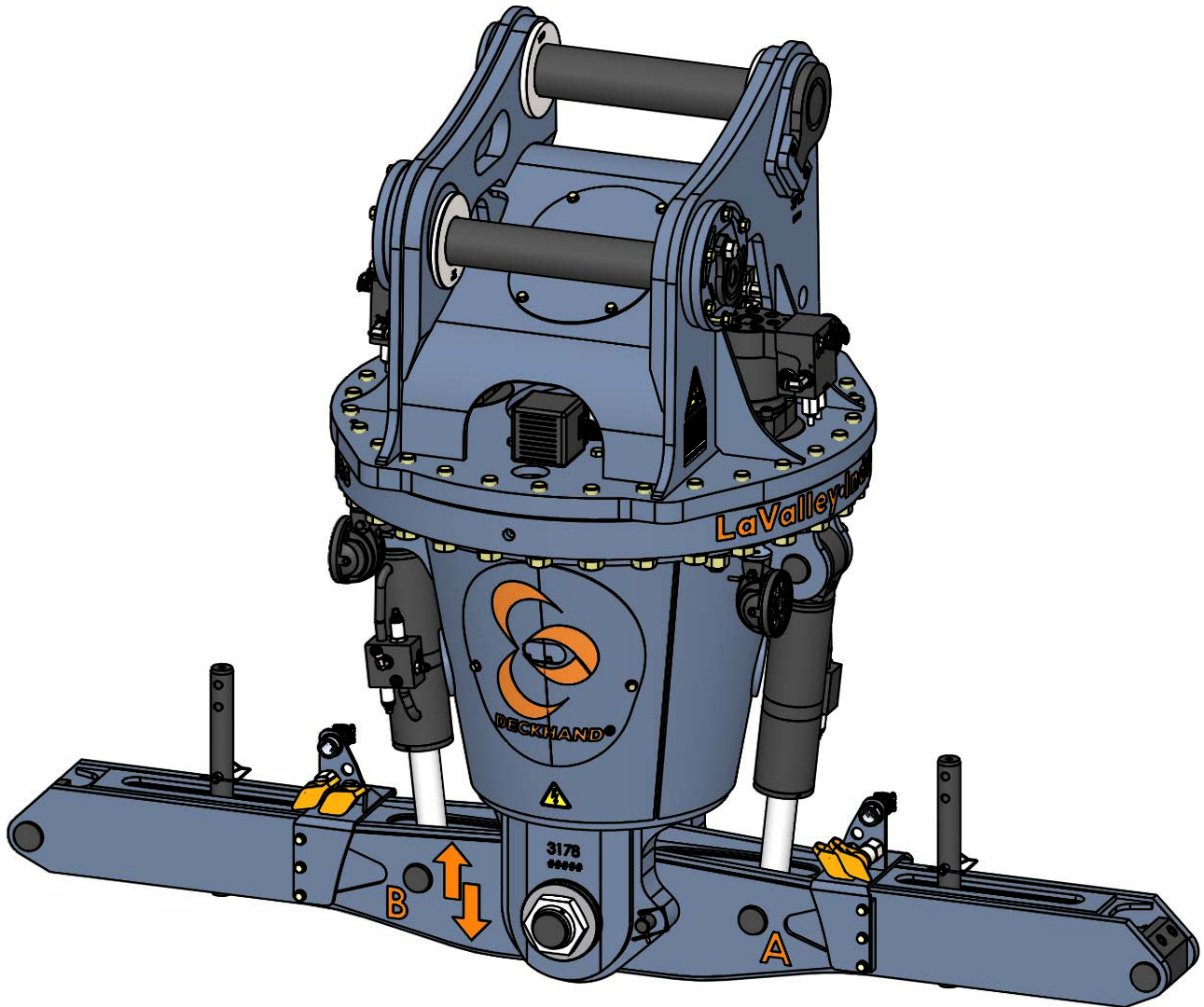




# LaValley Industries



### DECKHAND HEAD UNIT

PART NUMBER (P/N)	3815	
MODEL NUMBER	DH4	
MAIN BEAM SIZE (INCHES)	6X6	
EXCAVATOR WT CLASS	20-36 METRIC TON	
	<b>STANDARD UNITS</b>	<b>METRIC UNITS</b>
SUPPLY PRESSURE	3,000 PSI	207 BAR
MAX FLOW	22 GPM	83 LPM
MIN FLOW	16 GPM	61 LPM
CAPACITY	30,000 LB	13,608 KG
WEIGHT	2,892 LB	1,312 KG
<b>DECKHAND HORIZONTAL SHIPPING/STORAGE CRATE - P/N 3592</b>		
SHIPPING DIMENSIONS	63L x 83W x 47H (IN)	160L x 211W x 119H (CM)
SHIPPING WEIGHT	3,257 LB	1,477 KG
<b>DECKHAND VERTICAL SHIPPING/STORAGE STAND - P/N 1270</b>		
SHIPPING DIMENSIONS	93L x 76W x 80H (IN)	236L x 193W x 203H (CM)
SHIPPING WEIGHT	3,714 LB	1,685 KG